

**From:** [Moore, Jackson W](#)  
**To:** [McCormick, Debra J](#)  
**Subject:** FW: Wampler Services Inc (SW ID 12-02) Additional Information  
**Date:** Friday, August 29, 2025 12:27:46 PM  
**Attachments:** [image001.png](#)  
[image002.png](#)  
[image004.png](#)  
[image005.png](#)  
[image006.png](#)  
[image007.png](#)  
[Attachment D - Operations Narrative for Wampler Services Renewal Application Revised 07.23.2025.pdf](#)  
[image003.png](#)

---

Debra,

Please add this attachment to external VFC under SW ID #12-02 and OLQ Permit.

Thanks,

Jackson Moore

---

**From:** Dave Servies <DServies@patrioteng.com>  
**Sent:** Friday, August 29, 2025 12:10 PM  
**To:** Moore, Jackson W <JWMoore@idem.IN.gov>  
**Cc:** RAMAN, SHYAMALA <SRAMAN@idem.IN.gov>; Coffin, Delaney <DLCoffin@idem.IN.gov>; Donn H. Wray <donn.wray@skofirm.com>; Trina Wampler <wamplers46041@sbcglobal.net>  
**Subject:** RE: Wampler Services Inc (SW ID 12-02) Additional Information

**EXTERNAL EMAIL:** This email was sent from outside your organization. Exercise caution when clicking links, opening attachments or taking further action, before validating its authenticity.

Jackson,

Please see attached. Please let me know if you have any questions.

**David W. Servies, CHMM, CPESC**  
**Director, Environmental Compliance**

Patriot Engineering and Environmental, Inc.  
5300 DuPont Circle, Suite D | Milford, OH 45150  
mobile: 479.466.0461  
office: 513.949.7324

---

**From:** Moore, Jackson W <[JWMoore@idem.IN.gov](mailto:JWMoore@idem.IN.gov)>  
**Sent:** Friday, August 29, 2025 11:55 AM  
**To:** Dave Servies <[DServies@patrioteng.com](mailto:DServies@patrioteng.com)>  
**Cc:** RAMAN, SHYAMALA <[SRAMAN@idem.IN.gov](mailto:SRAMAN@idem.IN.gov)>; Coffin, Delaney <[DLCoffin@idem.IN.gov](mailto:DLCoffin@idem.IN.gov)>

**Subject:** Wampler Services Inc (SW ID 12-02) Additional Information

Mr. Servies,

IDEM Engineering has reviewed the Wampler Services, Inc. processing facility's additional information dated July 25, 2025 (VFC #[83842616](#)) and has the following comment:

1. The updated operational narrative, which revised section 4 (page 15) of the operations plan, is not included. Provide this attachment.

Thanks,



Jackson Moore  
Environmental Engineer | Engineering Section  
Permits Branch | Office of Land Quality  
Indiana Department of Environmental Management

(317) 233-0467 | [JWMoore@idem.IN.gov](mailto:JWMoore@idem.IN.gov)



# Solid Waste Processing Facility Renewal Permit Application

**Permit Number FP 12-02**

**January 10, 2024**  
**Revised July 23, 2025**

## **1. INTRODUCTION**

This Operations Narrative provides information on the construction/demolition (C/D) debris processing facility ("the facility") and C/D debris processing operations at the Wampler Services, Inc. company located at 1270 Washington Avenue in Clinton County, Center Township, Frankfort, IN.

## **2. DESCRIPTION OF WASTE**

The facility is used for sorting, recycling, and reducing construction and demolition (C/D) debris generated in Clinton and surrounding counties. Recyclable materials such as paper, wood pallets, brush & tree stumps, concrete, steel and other ferrous and non-ferrous metals are sorted for shipment to commercial recycling facilities. Plastics and cardboard are no longer processed or baled at the facility. If a customer brings plastics or cardboard into the facility, it is sent with the open top containers to the secondary material processor. Non-recyclable materials are reduced in a compactor and shipped in a metal compactor box to a licensed solid waste landfill.

## **3. DESCRIPTION OF C/D FACILITY**

Drawings depicting the location and design of the C/D processing facility are provided in Attachment C of this application. The C/D processing facility consists of a concrete slab with concrete walls on three sides covered by a roof and an adjacent debris compactor. The monolithic concrete slab is 64 feet long by 34 feet wide by 6 inches thick and the poured concrete walls are 4 feet high by 1 foot thick. The roof is 14 feet above ground to protect the facility from exposure to rain, snow and the elements. The roof is constructed of corrugated metal. By repairing or replacing worn or damaged components, the planned life of the facility is indefinite.

The C/D processing facility hours are 8:00am – 4:30pm on Monday through Friday and 8:00am – 11:45am on Saturday. The facility accepts C/D debris that has been collected and hauled by the public and commercial contractors. The sources of the solid waste are

primarily Clinton and neighboring counties including Tippecanoe, Carroll, Howard, Tipton, Hamilton, Boone, and Montgomery counties.

#### **4. PROCESS DESCRIPTION**

The C/D facility processes an average of approximately 1,075 tons per quarter of cardboard, wood, paper and plastic and approximately 4,500 tons per quarter (depending upon markets) of metals (ferrous and non-ferrous), and approximately 600 tons per quarter of concrete (a flow which varies). Only C/D waste and metals (ferrous and non-ferrous) are accepted by the facility for processing, all other wastes are rejected.

Customers arrive through the front gate and are met by trained Wampler personnel who visually inspect each load for non-acceptable materials. No liquids of any kind, tanks of any kind, enclosed containers, hazardous materials, paints, fuels, pesticides, herbicides, rodenticides, chemicals, asbestos, radioactive materials, municipal waste or garbage, or potential Freon or refrigerant containing materials such as refrigerators and air conditioners with compressors are accepted. All loads containing unacceptable materials are turned away and are not allowed entry to the facility. After inspection, acceptable loads are directed to the scale for weigh-in and then to the C/D processing facility. The accepted C/D waste load is placed on the concrete floor of the facility where it is sorted by trained Wampler personnel into recyclable and non-recyclable material by hand or by excavators with claw or thumb attachments.

Recyclable materials such as plastics, paper, cardboard, wood pallets, brush & tree stumps, steel, and other ferrous and non-ferrous metals that have been sorted from the C/D debris are further sorted according to type of material and then loaded into roll-off containers or trailers using front-end or skid-steer loaders for shipment to appropriate commercial recycling or composting facilities. Concrete is segregated outside and loaded into containers for shipment to recyclers for crushing. All remaining non-recyclable debris are reduced in the compactor and transported off-site in a compactor box to a licensed solid waste disposal facility.

The facility receives, on average, approximately 12 tons (approximately 45 cubic yards) of C/D debris per day. The facility is designed to be able to process approximately 30 tons in any one day so there is substantial capacity. The facility's maximum design storage capacity is approximately 25 tons. All C/D debris other than wood and concrete that is not fully processed during a day is left overnight inside the facility processing building or inside transportable containers. Wood may be stored overnight on a paved area prior to loading for shipment the next day. Concrete is stored outdoors until shipped to a crusher/recycler. All dumping, sorting, and handling of the C/D debris takes place inside the C/D facility building by trained Wampler personnel. Back-up equipment is maintained to ensure C/D debris is effectively processed and to ensure that the C/D debris

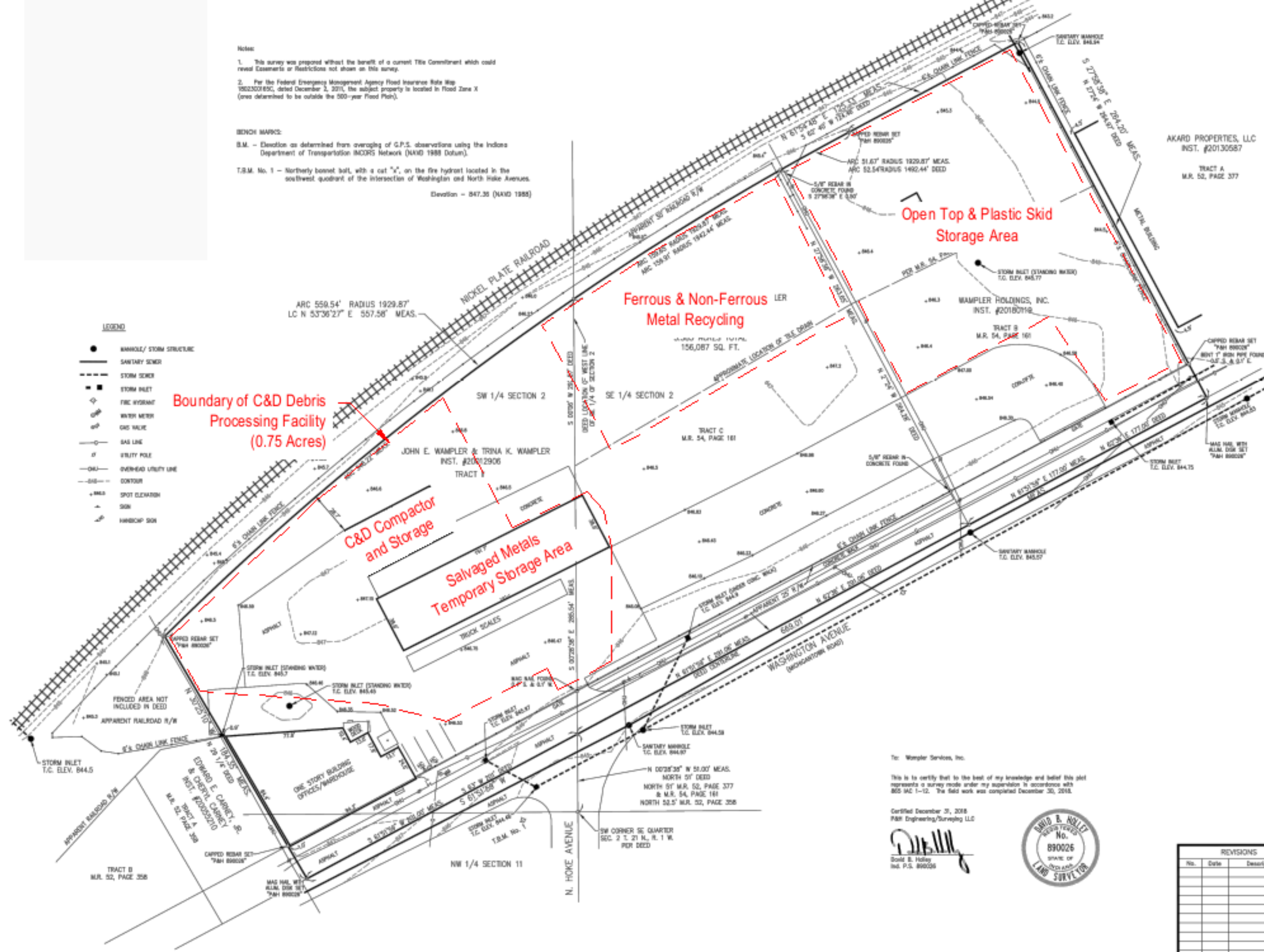
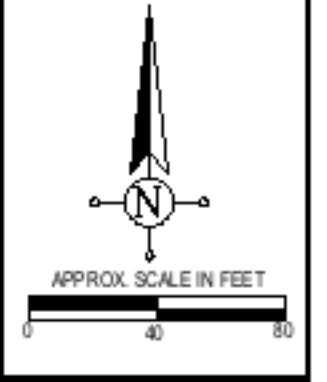
does not accumulate inside the facility in amounts more than its maximum storage capacity.

Additionally, if contained in a roll-off recyclable material may be removed and taken to the covered area of the facility for appropriate routing to a recycle facility. Trucks and trailers to receive the residue are parked on the waste transfer area prior to and at the time of transferring the residues from roll-offs to the trucks. All open tops loads are covered with an auto tarp during transport.

Residues will not be stored in this area. Any transport trailers that contain waste shall be tarped overnight. No roll offs containing residual material shall be allowed to sit overnight on the property uncovered.

Any litter or spillage resulting from the transferring process will be immediately addressed through normal grounds maintenance and shall be contained within the facility by the presence of the chain link fence.

A flow diagram depicting the facility operations is presented in Figure 1.



**Notes:**

- This survey was prepared without the benefit of a current Title Commitment which could reveal Easements or Restrictions not shown on this survey.
- Per the Federal Emergency Management Agency Flood Insurance Rate Map (FIRM) dated December 3, 2015, the subject property is located in Flood Zone X (area determined to be outside the 100-year Flood Plain).

**BENCH MARKS:**

B.M. - Elevation as determined from averaging of G.P.S. observations using the Indiana Department of Transportation INDORS Network (NAD 1983 Datum).

T.B.M. No. 1 - Northerly bearing nail, with a cap "V", on the fire hydrant located in the southwest quadrant of the intersection of Washington and North Lake Avenues.  
Elevation = 847.35 (NAD 1983)

- LEGEND**
- MANHOLE / STORM STRUCTURE
  - SANITARY SEWER
  - STORM SEWER
  - STORM INLET
  - FIRE HYDRANT
  - WATER METER
  - GAS MAIN
  - GAS LINE
  - UTILITY POLE
  - OVERHEAD UTILITY LINE
  - CONTOUR
  - SPOT ELEVATION
  - SKIN
  - HATCHING SIGN

**Record Legal Description:**  
Instrument No. 20012906

**TRACT 1:**  
A part of the Southwest Quarter of the Southeast Quarter of Section 2, Township 21 North, Range 1 West of the Second Principal Meridian and being more particularly described as follows:  
Beginning at a point on the centerline of the Michigan Avenue Road that is 51 feet North of the Southwest corner of the Southwest Quarter of said Section and running North 62 degrees 38 minutes East along said centerline of road 291.05 feet, thence North 27 degrees 24 minutes West 294.28 feet to the Southeast Right of Way line of the Norfolk and Western Railway (Nickel Plate Railroad), thence Southwesterly on a curve to the left whose radius is 1942.44 feet along said Right of Way line 108.91 feet to the half Section line, thence South 82 degrees 08 minutes West along said half Section line 293.57 feet to the Place of Beginning, containing 1.37 acres, more or less and being Tract "C" of the survey recorded September 28, 1995 in Miscellaneous Record 54, Page 181 in the Office of the Recorder of Clinton County, Indiana.

**TRACT 2:**  
Beginning at a point where the center line of Washington Avenue (formerly the Franklin and Michigan Avenue Road) intersects the North and South Half Section line running through Section 2, in Township 21 North, Range 1 West of the Second Principal Meridian, and running South 63 degrees West along the center of said Avenue 231 feet, thence North 20-1/4 degrees West to the South line of the Right of Way of the main track of the New York, Chicago and St. Louis Railroad Company (Lower Level Division), formerly Toledo, St. Louis & Western Railroad Company, thence in a Northerly direction on a curve to the right with the said South line of said Right of Way line to where it crosses the said North and South Half Section line through said Section 2, thence South to the Place of Beginning, being a part of the Southeast Quarter of the Southwest Quarter of Section 2 aforesaid, and a part of the Northeast Quarter of the Northeast Quarter of Section 11, Township 21 North, Range 1 West of the Second Principal Meridian, containing 1 acre, more or less.

**Instrument No. 20180719**  
A part of the Southwest Quarter of the Southeast Quarter of Section 2, Township 21 North, Range 1 West of the Second Principal Meridian and being more particularly described as follows:  
Beginning at a point on the centerline of the Michigan Avenue Road that is 51 feet North and 291.05 feet West of the Southwest corner of the Southwest Quarter of said Section and running North 62 degrees 38 minutes East along said centerline of road 177.32 feet, thence North 27 degrees 24 minutes West 294.27 feet to the Southeast Right of Way line of the Norfolk and Western Railway (Nickel Plate Railroad), thence South 62 degrees 40 minutes West along said Right of Way line 124.45 feet, thence on a curve to the left whose radius is 1902.44 feet along said Right of Way line 124.45 feet, thence South 27 degrees 24 minutes East 294.28 feet to the Place of Beginning, containing 1.09 acres, more or less, and being Tract "D" shown on the survey recorded September 28, 1995 in Miscellaneous Record 54, Page 181 in the Office of the Recorder of Clinton County, Indiana and being subject to all legal highways.

Subject to the Easement of an existing eight-inch (8") gas line as shown on a survey recorded in Miscellaneous Record 54, Page 181 of the records of Clinton County, Indiana.

Subject to a Easement to the City of Frankfort for existing electric power lines and poles, all as described and set forth as Instrument No. 89-1438, recorded April 27, 1993.

**Surveyor's Report**

In accordance with 865 IAC 1-12, the following observations and opinions are submitted regarding the various uncertainties in the location of the lines and corners shown on this survey as a result of:

- Availability and condition of reference monuments
- Daily or antiquity of record descriptions used and of adjacent descriptions
- Occupation or possession lines
- The relative positional accuracy of measurements

This survey consists of a Reclamation Survey of a 3.985 acre tract of land located in Sections 2 and 11, Township 21 North, Range 1 West of the Second Principal Meridian as recorded as Instrument No. 20012906 and Instrument No. 20180719 in the Office of the Recorder of Clinton County, Indiana. No monument was found marking the Southwest corner of the Southwest Quarter of said Section 2. The location shown in the above described Record Descriptions and on prior surveys in this area prepared by Hanco B. King, R.L.S. #8099 and recorded in Miscellaneous Record 52, Page 258, Misc. Record 52, Page 277 and Miscellaneous Record 54, Page 181 in said Recorder's Office. Monuments marking corners of parcels shown on said prior surveys were located. Approximately 0.5 of a foot of uncertainty was noted in the location of the above described monumentation. Lines and corner shown on this survey are subject to this uncertainty. The South line of the Nickel Plate Railroad is based on the Right of Way with shown on the prior surveys and on the location of the centerline of the existing right of way railroad. This line is subject to an undetermined amount of uncertainty. The North line of Washington Avenue is based on the Right of Way with shown on said prior surveys and is subject to an undetermined amount of uncertainty. The West line of the subject property is based on the location of adjoining properties shown on said prior surveys. The location of the subject property shown on this survey is a "Best-Fit" solution based on the above and is subject to the above described uncertainties. Bearings are based on the Indiana West Zone NAD83 State Plane Coordinate System utilizing the Indiana Department of Transportation INDORS Network.

As a result of the above observations, to the best of my knowledge and belief, the uncertainties in the location of the lines and corners shown on this survey are as follows:  
Availability and condition of reference monuments: Monuments in this area were generally found in good condition. Monuments set this survey are marked "TAM 890026" and are flush with the ground surface.  
Daily and/or antiquity of record descriptions: No gaps or overlaps were noted.  
Occupation or possession lines: Existing leases vary from property lines as shown. The subject property is occupying a portion of the apparent Railroad Right of Way as shown.  
Relative positional accuracy of measurements: The relative positional accuracy of the corners of the subject property as shown this survey is within the specifications for a Suburban Survey (± 0.13 feet plus 130 parts per million) as defined in said 865 IAC 1-12.

To: Wampler Services, Inc.

This is to certify that to the best of my knowledge and belief this plot represents a survey made under my supervision in accordance with 865 IAC 1-12. The field work was completed December 30, 2018.

Certified December 31, 2018  
P&H Engineering/Surveying LLC

*D. DuMora*  
Dale S. Holley  
Ind. P.S. 890026

**DALE S. HOLLEY**  
INDIAN STATE  
No. 890026  
SPACE OF  
LAND SURVEYOR

REVISIONS	
No.	Date Description

**P&H**  
ENGINEERING/SURVEYING LLC

5251 S. EAST STREET  
SLITE 1  
INDIANAPOLIS, IN 46227  
PHONE: (317)974-0555  
FAX: (317)974-5570  
dsholley@pandh.com

**WAMPLER SERVICES, INC.**  
1270 WASHINGTON AVENUE  
FRANKFORT, INDIANA

**BOUNDARY & TOPOGRAPHIC SURVEY**

ENGINEERS SURVEYORS PLANNERS

DATE: 12/30/18  
DRAWN/CHK: JDM  
CHECKED: DSA  
PRD: NO. 1858

**1 of 1**



Project: Wampler Services Solid Waste Permit Renewal  
1270 Washington Avenue  
Frankfort, Indiana

Project Number: 18-1858-01  
Date: January 22, 2019

Drawn By: J. DuMora  
Approved: D. Services  
DWG: 18-1858-01\_site

Figure 1  
Site Map

## **5. TESTING, TREATMENT, AND DISPOSAL OF RESIDUES**

Residues from the C/D processing facility consist of non-recyclable C/D items sorted from the waste stream and dust from sweeping the concrete floor of the facility. All non-recyclable materials and residues are loaded into the compactor and transported off-site to a licensed solid waste disposal facility. No testing of the waste stream is considered necessary for proper disposal and therefore no testing or treatment of the material is performed.

## **6. DISPOSAL FACILITIES**

The following solid waste disposal facilities receive non-recyclable C/D waste from the Wampler facility:

- Walnut Creek – Frankfort, IN
- Liberty Landfill—Monticello, IN
- Oakridge RDF—Logansport, IN

The following recycling and composting facilities receive recyclable materials from the Wampler facility:

- Industrial Pallet Corp.—Carks Hill, IN
- Omnisource – Indianapolis, IN
- Newlon Metals—Kokomo, IN
- American Paving & Asphalt – Lafayette, IN
- East-Terra supply—Indianapolis, IN
- Commercial Waste—Crown Point, IN

## **7. CONTINGENCY PLAN**

The following measures ensure that all C/D waste is properly processed and not stored outside of the secure C/D facility:

- C/D waste is not accepted when the facility is closed.
- All C/D waste is processed inside the C/D processing building
- The C/D processing facility is expected to receive, on average, approximately 12 tons of C/D debris per day and the facility is designed to be able to process approximately 30 tons in any one day.
- The C/D processing facility's maximum design storage capacity is approximately 25 tons. All C/D debris that is not fully processed during a day (other than wood and concrete) is left overnight inside the facility processing building or inside transportable containers. C/D debris are not left outside on the ground exposed to the elements.

- All dumping, sorting, and handling of the C/D debris takes place inside the C/D facility building by trained Wampler personnel.
- Back-up equipment is maintained to ensure C/D debris is effectively processed and to ensure that the C/D debris does not accumulate inside the facility in amounts more than its 25 ton maximum storage capacity.

## **8. CONTROL PROCEDURES**

### **A. Dust Control**

The sorting and processing area is swept daily and a sprinkler system is used on an as-needed basis to control and prevent airborne dust.

### **B. Noise Control**

The equipment used in the sorting, handling and processing of the C/D waste does not generate excessive noise. Most of the processing activity is performed inside the three-walled facility which helps to reduce and dampen the noise volume. All equipment complies with industry noise and emissions standards.

### **C. Odor Control**

Odors are not present because only C/D waste is processed by the facility and the processing equipment complies with industry emission standards.

### **D. Fire and Explosion Control**

There is no known explosive hazard for the C/D waste stream. Fire extinguishers are mounted inside the wall of the facility and located in all trucks and loading and sorting equipment.

### **E. Vector Control**

Since only C/D waste is processed at the facility, vector control is not a problem. However, the facility is inspected daily. Should a vector outbreak occur, modern and effective vector control measures will be used.

### **F. Litter/Garbage Control**

Litter and garbage are not accepted at the facility. In general, litter is controlled throughout the entire grounds of the facility through normal daily grounds maintenance and the presence of a chain link fence around the Wampler property.

### **G. Storm Water Control**

The C/D waste processing facility is covered by a roof so rain, snow and storm water do not come into contact with the waste material. As an added precaution, C/D waste will not be accepted at the facility during heavy rainfall.

### **H. Unsuitable Waste and Incompatible Waste**

As described above, all C/D waste loads arriving through the front gate of the Wampler property are met by trained Wampler personnel who visually inspect

each load for non-acceptable materials. No tanks of any kind, enclosed containers, liquids, hazardous materials, paints, fuels, pesticides, herbicides, rodenticides, chemicals, asbestos, radioactive materials, municipal waste or garbage, or potential Freon or refrigerant containing materials such as refrigerators and air conditioners with condensers are accepted. All loads containing unacceptable materials are turned away and not allowed entry to the facility. The inspection and screening process allows only C/D debris to enter the facility and as such, no incompatible waste or chemicals are accepted.

I. Bulky Wastes

Bulky wastes that do not contain any unsuitable materials as listed above will be accepted by the facility.

J. Spill Control

The C/D processing facility building is designed to contain any potential spills that may occur. The processing facility contains three (3) walls and a six-inch curb at the entrance into the facility building. A spill control kit is present inside the C/D processing building and contains universal sorbent for oil, water based and chemical spills; an assortment of sorbent pads, pillows, and socks; a broom and dust pan; goggles; nitrile gloves; and a 30-gallon poly drum with a lid.

## **9. INSPECTION AND CLEANUP**

The C/D processing facility is inspected weekly to ensure that all of the above control measures are being implemented and are effective. A weekly inspection form is completed and all inspection forms are kept on file at the facility. Daily cleanup of the C/D processing facility consists of sweeping the concrete floor of the facility processing building and making sure that any unprocessed C/D debris is stored inside the processing building. The daily cleanup procedure also ensures that all processed C/D debris is stored either inside the compactor or in transportable containers.

## **10. SANITARY FACILITIES**

Sanitary facilities for the employees are available in the main office and shop areas adjacent to the C/D waste processing facility. These facilities are available to the employees for washing and personal decontamination. An emergency eye-wash station is available inside the C/D processing building.

## 11. EMERGENCY RESPONSE PLAN

The Wampler facility is designed to accept presorted, co-mingled recyclables and C&D solid waste materials. In case of an emergency, due to fire, injury, toxic materials or vapors, employees will call 911. See Attachment E. In addition to the attached, the following describes responses, procedures, and guidelines should a fire, spill, and/or containment release occur at Wampler. In the event of emergency, telephone call (s) should be made to the primary numbers listed below:

Agency / Facility Name	Telephone Number
Ambulance	911
Fire Department	911
Sheriff / Police Department	911
St Vincent Frankfort Hospital	765-656-3000
IDEM Emergency Response	888-233-7745
US EPA Response Center	800-424-8802
Poison Control Center	800-382-9027
Center for Disease Control	404-488-4100

**FIRE:** A safe attempt may be made to suppress a small fire with readily available fire extinguishers. The fire department should be contacted for an explosion or a serious fire. All personnel and customers should move to a safe place away from the event. A call to 911 should include the location of the event, materials in the fire and if medical aid is needed.

**SPILLS AND LEAKS:** Locate and identify the source of the spill or leak and stop the flow if it can be done safely. The following calls should be made:

- Frankfort Fire Department - 911
- Local Emergency Planning Committee (LEPC) - 765-654-7212
- IDEM- 888-233-7745

The area should be isolated. If the spill is manageable by on-site personnel, a spill kit should be utilized. Hazardous Materials (HAZMAT) responders may be needed to contain and clean up the spill and repair the leak.

**CHEMICAL RELEASES:** For chemical releases:

- Eye and Skin Contact - Flush immediately with large amounts of water for at least 15 minutes and get medical attention.
- Inhalation - Provide fresh air as needed. Give artificial respiration if person is not breathing and seek medical attention.
- Ingestion - Call the Poison Control Center for advice specific to the chemical ingested. Call for local medical assistance.

## **12. SAFETY TRAINING**

All personnel working in the C/D processing facility undergo internal company training that focuses on safety issues associated with working around heavy equipment, emergency evacuation procedures, spill control procedures, identifying unsuitable wastes, and the proper use of personal protective equipment. All personnel working in the C/D facility are required to wear safety glasses, a hard hat, hearing protection, steel toed shoes and gloves.

## **13. COMMUNICATION EQUIPMENT**

All personnel working in the C/D facility are required to carry a cell phone or radio during working hours for immediate communication with Wampler management.